



UNIwersYTET
WARszawSKI



CENTRUM
ARCHEOLOGII
ŚRÓDZIEMNOMORSKIEJ

Title: **PRELIMINARY REPORT ON POLISH EXCAVATIONS AT MARINA EL-ALAMEIN IN THE 2012-2015 SEASONS**

Author(s): Krzysztof Jakubiak

Journal: *Polish Archaeology in the Mediterranean* 25

Year: 2016

Pages: 127–144

ISSN: 1234–5415 (Print), ISSN 2083–537X (Online)

Publisher: Polish Centre of Mediterranean Archaeology, University of Warsaw (PCMA UW), Wydawnictwa Uniwersytetu Warszawskiego (WUW)
www.pcma.uw.edu.pl - www.wuw.pl

ABSTRACT: The Marina el-Alamein Archaeological Project concentrated on excavating the area in the northern part of the harbor town, where a street (S1) existed, running north–south toward the harbor, lined by buildings on both sides. A test trench was dug across it to study the stratigraphy. It helped to identify several street levels and at least two major building phases in this area. One of the structures (H39) contained a hypocaust furnace that led to the building interpreted as a bathhouse. A pebble mosaic was uncovered immediately west of the furnace. Opposite Building H39 and across street S1, there was a large and richly furnished residential house (H42). It encompassed two paved courtyards, which were in use in the first half of the 2nd century AD. Three seasons of excavations (2012, 2013 and 2014) were followed by a season devoted in its entirety to documentation of the pottery and other small finds from the excavations and to check the documentation from earlier seasons.

KEYWORDS: Marina el-Alamein, residential/domestic architecture, bathhouse, Roman, architectural decoration, mosaic, Roman pottery, oil lamps, ostraka

تقرير مبدئى عن حفائر البعثة الأثرية البولندية فى موقع مارينا العلمين (بمصر)
مواسم حفائر ٢٠١٢-٢٠١٥

Krzysztof Jakubiak

الملخص: لقد تركز العمل فى مشروع مارينا العلمين الأثرى على إكتشاف والعمل فى المنطقة الواقعة فى الجزء الشمالى من ميناء المدينة ، حيث كان يتواجد الشارع رقم (S1) ، والذي كان يجرى (يمتد) فى الإتجاه الشمالى - الجنوبى فى إتجاه الميناء، محفوفاً بمبانى على جانبيه. وقد قامت البعثة بعمل خندق حفائر إستكشافى فى هذه المنطقة (ربما فى الشارع السابق ذكره) وذلك لدراسة ترتيب طبقات التربة. وقد ساعدنا حفر هذا الخندق فى التعرف على العديد من مستويات التربة (الطبقات) لهذا الشارع وعلى الأقل مرحلتين أساسيتين للبناء فى هذه المنطقة تحديداً. أحد هذه المنشآت رقم (H39) قد إحتوى على فرن لتسخين المياه تحت الأرض (مماثل لنفس الشكل من الحمامات الرومانية التقليدية التى تتكون من ثلاث مراحل تحت الأرض لتسخين مياه الحمامات) والذي يقودنا بدوره إلى مايمكن أن نطلق عليه أو نفسره بأنه حمام. وتجدر الإشارة إلى أنه قد تم الكشف عن فسيفساء من الحصى الأملس مباشرة غرب موقع هذا الحمام. أما فى الجهة المقابلة للمبنى رقم (H39) وعبر الشارع رقم (S1) ، كان هنالك مبنى مدنى كبير يتميز بأثاثه ذو القيمة العالية وهو رقم (H42). وتضمن هذا المبنى الأخير صالتين مرصوفتين واللتين كانتا قيد الإستخدام فى النصف الأول من القرن الثانى الميلادى. إستمر العمل فى الموقع لمدة ثلاثة مواسم (٢٠١٢، ٢٠١٣، ٢٠١٤) أعقبهم موسم حفائر تم تكريسه بشكل كامل لتوثيق الفخار وبقاى اللقى الأثرية الصغيرة المستخرجة من الحفائر وكذلك للتحقق من عمليات التوثيق الأثرى الخاصة بالمواسم السابقة .

الكلمات الدالة: مارينا العلمين، العمارة السكنية/ المدنية، الحمام، الرومانى، الزخرفة المعمارية، الفسيفساء، الفخار الرومانى، مصابيح الزيت، الأوستراكا (شقف الفخار).

POLISH CENTRE OF MEDITERRANEAN ARCHAEOLOGY
UNIVERSITY OF WARSAW

POLISH ARCHAEOLOGY IN THE MEDITERRANEAN

XXV

RESEARCH



POLISH ARCHAEOLOGY IN THE MEDITERRANEAN (PAM)
Annual of the Polish Centre of Mediterranean Archaeology, University of Warsaw

Editorial Board

Piotr Bieliński
Krzysztof M. Ciałowicz
Wiktor Andrzej Daszewski
Michał Gawlikowski
Włodzimierz Godlewski
Karol Myśliwiec
Tomasz Waliszewski

International Advisory Board

Jean Charles Balty
Charles Bonnet
Giorgio Buccellati
Stan Hendrickx
Johanna Holaubek

Peer-reviewed by members of the *PAM* committee of independent reviewers.
<http://www.pcma.uw.edu.pl/en/pam-journal/pam-independent-reviewers/>

POLISH ARCHAEOLOGY IN THE MEDITERRANEAN (PAM)
Annual of the Polish Centre of Mediterranean Archaeology, University of Warsaw

PAM Editor-in-chief: Iwona Zych

Volume 25: Research

All texts peer-reviewed.

<http://www.pcma.uw.edu.pl/en/pam-journal/pam-independent-reviewers/>

Assistant editor: Grzegorz Majcherek

Peer-reviewing process: Urszula Wicenciak

Bibliographic editor: Aleksandra Zych

Language consultation: Agata Czamara, Iwona Zych

Technical editor: Iwona Zych

Digital processing: Ewa Czyżewska-Zalewska

Image processing and copyediting assistance: Ewa Czyżewska-Zalewska, Szymon Maślak,

Marta Momot, Marek Puzkarski, Urszula Wicenciak

Original graphic design: Jerzy Kowalski, updated by Ewa Czyżewska-Zalewska for PCMA

DTP: Ewa Czyżewska-Zalewska

Cover: Terracotta votive mask from Jiyeh/Porphyreion in Lebanon (Photo A. Oleksiak)

ISSN 1234–5415 (Print) original edition

ISSN 2083–537X (Online)

© Polish Centre of Mediterranean Archaeology, University of Warsaw, Warszawa 2016

© Wydawnictwa Uniwersytetu Warszawskiego, Warszawa 2016

All rights reserved. No part of this publication may be reproduced or transmitted in any form or by any means, electronic or mechanical, including photocopying, recording, or any information storage and retrieval system, without permission in writing from the Polish Centre of Mediterranean Archaeology of the University of Warsaw.

Polish Centre of Mediterranean Archaeology, University of Warsaw

00-497 Warszawa, Poland, ul. Nowy Świat 4

e-mail: pam.pcma@uw.edu.pl

www.pcma.uw.edu.pl

Orders can be placed c/o Agnieszka Pieńkowska

a.pienkowska@uw.edu.pl

University of Warsaw Press

00-497 Warszawa, Poland, ul. Nowy Świat 4

www.wuw.pl; e-mail: wuw@uw.edu.pl

Internet Bookshop: www.wuw.pl/ksiegarnia

Printed in Poland

CONTENTS

CONTENTS

ACKNOWLEDGMENTS	10
ABBREVIATIONS.....	11

PAM REPORTS

PCMA FIELD MISSIONS AND PROJECTS IN 2014 AND 2015 (WITH MAP).....	15
---	----

EGYPT

ALEXANDRIA

ALEXANDRIA, KOM EL-DIKKA. SEASONS 2014–2015 <i>Grzegorz Majcherek</i>	33
APPENDIX: ISLAMIC CEMETERY AT KOM EL-DIKKA IN ALEXANDRIA: RESEARCH IN THE 2014 AND 2015 EXCAVATION SEASONS <i>Emanuela Kulicka</i>	53
KOM EL-DIKKA 2014: HUMAN BONES FROM AREA U <i>Robert Mahler and Urszula Okularczyk</i>	64
GLASS FINDS FROM AREAS U AND G AT THE KOM EL-DIKKA SITE IN ALEXANDRIA (EXCAVATIONS IN 2012 AND 2013) <i>Renata Kucharczyk</i>	87
GLAZED IFRIQIYYAN CERAMICS FROM THE HAFSID PERIOD FROM THE SITE OF KOM EL-DIKKA IN ALEXANDRIA <i>Anna Zawadzka</i>	104

MAREA

MAREA SEASON 2014: EXCAVATION IN HOUSE H1 <i>Dagmara Wielgosz-Rondolino and Mariusz Gwiazda</i>	115
--	-----

MARINA EL-ALAMEIN

PRELIMINARY REPORT ON POLISH EXCAVATIONS AT MARINA EL-ALAMEIN IN THE 2012–2015 SEASONS <i>Krzysztof Jakubiak</i>	127
RESEARCH AND CONSERVATION IN MARINA EL-ALAMEIN IN 2014 AND 2015 (POLISH–EGYPTIAN CONSERVATION MISSION). PART ONE: THE SOUTHERN BATH AND CENTRAL TOWN SQUARE <i>Rafał Czerner, Grażyna Bąkowska-Czerner, Wiesław Grzegorek and Grzegorz Majcherek</i>	145

CONTENTS

RESEARCH AND CONSERVATION IN MARINA EL-ALAMEIN IN 2014 AND 2015 (POLISH–EGYPTIAN CONSERVATION MISSION). PART TWO: THE HELLENISTIC BATHS <i>Rafał Czerner, Grażyna Bąkowska-Czerner, Wiesław Grzegorek and Grzegorz Majcherek</i>	167
SELECTED CONSERVATION PROJECTS IN MARINA EL-ALAMEIN IN THE 2014 AND 2015 SEASONS <i>Marlena Koczorowska, Wojciech Osiak and Piotr Zambrzycki</i>	185
TELL EL-RETABA TELL EL-RETABA 2014–2015 <i>Sławomir Rzepka, Jozef Hudec, Łukasz Jarmużek, Veronika Dubcová, Lucia Hulková, Martin Odler, Alena Šefčáková and Piotr Sójka</i>	193
TELL EL-FARKHA TELL EL-FARKHA: ARCHAEOLOGICAL FIELDWORK 2014–2015 <i>Marek Chłodnicki and Krzysztof M. Ciałowicz</i>	227
SAQQARA SAQQARA 2012 AND 2015: INSCRIPTIONS <i>Kamil O. Kuraszkiwicz</i>	255
NAQLUN DEIR EL-NAQLUN 2014–2015. PRELIMINARY REPORT <i>Włodzimierz Godlewski, Katarzyna Danys and Szymon Maślak</i>	265
WEST THEBES: ASASIF AND DEIR EL-BAHARI MIDDLE KINGDOM TOMBS OF ASASIF: ARCHAEOLOGICAL ACTIVITIES IN 2015 <i>Patryk Chudzik</i>	289
FOUR SEASONS OF DOCUMENTATION IN THE MAIN SANCTUARY OF AMUN-RE IN THE TEMPLE OF HATSHEPSUT AT DEIR EL-BAHARI <i>Franciszek Pawlicki</i>	303
BERENIKE ARCHAEOLOGICAL FIELDWORK IN BERENIKE IN 2014 AND 2015: FROM HELLENISTIC ROCK-CUT INSTALLATIONS TO ABANDONED TEMPLE RUINS <i>Iwona Zych, Steven E. Sidebotham, Martin Hense, Joanna K. Rądkowska and Marek Woźniak</i>	315
SUDAN BANGANARTI AND SELIB BANGANARTI AND SELIB IN THE 2013/2014 AND 2014/2015 SEASONS <i>Bogdan Żurawski</i>	349
APPENDIX I: POTTERY FROM SELIB. PRELIMINARY REPORT (2013/2014 AND 2014/2015 SEASONS) <i>Aneta Cedro</i>	370

CONTENTS

<i>APPENDIX 2: OSTEOARCHAEOLOGICAL ANALYSES OF SKELETAL MATERIAL FROM SELIB 1 AND BANGANARTI (2013/2014 AND 2014/2015 SEASONS)</i> <i>Magdalena Bury</i>	385
EL-DETTI	
EARLY MAKURIA RESEARCH PROJECT: INTERIM REPORT ON THE EXCAVATION AT EL-DETTI IN 2014 AND 2015 <i>Mahmoud El-Tayeb, Ewa Czyżewska-Zalewska, Zofia Kowarska and Szymon Lenarczyk</i>	403
<i>APPENDIX: METAL OBJECTS FROM THE EL-DETTI CEMETERY</i> <i>Lukasz Zieliński</i>	420
ANIMALS FROM THE TUMULI IN EL-DETTI IN SUDAN: FROM BONE REMAINS TO STUDYING RITUAL <i>Urszula Iwaszczuk</i>	431
KHOR SHAMBAT	
KHOR SHAMBAT 1: NEW NEOLITHIC SITE AND CEMETERY IN OMDURMAN (SUDAN) <i>Przemysław Bobrowski, Maciej Jórdeczka, Iwona Sobkowiak-Tabaka and Michaela Binder</i>	447
LEBANON	
JIYEH	
CONSERVATION AND RESTORATION OF A VOTIVE MASK FROM JIYEH IN LEBANON <i>Anna Tomkowska</i>	479
PLANT REMAINS FROM JIYEH/PORPHYREON, LEBANON (SEASONS 2009–2014): PRELIMINARY RESULTS OF ARCHAEOBOTANICAL ANALYSIS AND IMPLICATIONS FOR FUTURE RESEARCH <i>Monika Badura, Ewelina Rzeźnicka, Urszula Wicenciak and Tomasz Waliszewski</i>	487
IRAQI KURDISTAN	
NEWCOMERS AND AUTOCHTHONS. PRELIMINARY REPORT ON THE 2014–2015 SURVEY IN THE KURDISTAN AUTONOMOUS REGION, IRAQ <i>Dorota Ławecka</i>	511
GEORGIA	
GONIO	
GONIO (APSAROS) IN ADJARA: EXCAVATION OF A ROMAN FORT. INTERIM REPORT ON THE FIRST SEASON OF THE POLISH–GEORGIAN ARCHAEOLOGICAL EXPEDITION <i>Radosław Karasiewicz-Szczypiorski and Shota Mamuladze with Piotr Jaworski and Marcin Wagner</i>	521

CONTENTS

INTERIM REPORT ON THE POLISH–GEORGIAN EXCAVATION OF A ROMAN
FORT IN GONIO (APSAROS) IN 2014
Shota Mamuladze and Radostaw Karasiewicz-Szczypiorski
with Tamar Shalikadze, Nargiz Surmanidze and Emzar Kakhidze 533

ARMENIA

METSAMOR

METSAMOR (ARMENIA): PRELIMINARY REPORT ON THE EXCAVATIONS IN 2013,
2014 AND 2015
Krzysztof Jakubiak, Ashot Piliposyan, Mateusz Iskra and Artavazd Zaqyan 553
APPENDIX: ANTHROPOLOGICAL EXAMINATION OF BURIALS FROM METSAMOR
IN SEASONS 2013–2015
Rusanna Mертchyan and Hasmik Simonyan 566

STUDIES

FROM CIRCLE TO RECTANGLE. EVOLUTION OF THE ARCHITECTURAL PLAN
IN THE EARLY NEOLITHIC IN THE NEAR EAST
Marcin Białowarczuk 575
LOCAL AND IMPORTED POTTERY IN THE NEOLITHIC GULF:
A NEW PERSPECTIVE FROM THE SITE OF BAHRA I IN KUWAIT
Anna Smogorzewska 595
CERAMIC PATCHWORK IN HELLENISTIC TO BYZANTINE PHOENICIA:
REGIONALIZATION AND SPECIALIZATION OF VESSEL PRODUCTION
Urszula Wicenciak 619
MEROITIC BEADWORK: AN OVERVIEW BASED ON FINDS FROM SAĪ
IN ANCIENT NUBIA
Joanna Then-Obluska 691
REMARKS ON POTTERY PRODUCTION, TECHNOLOGY AND VESSEL USAGE
IN EL-ZUMA
Ewa Czyżewska-Zalewska 725
TRADE AND FAITH IN NUBIAN EARLY MAKURIA (AD 450–550):
MACROSCOPIC EXAMINATION OF PERSONAL ADORNMENTS FROM
EL-ZUMA IN NUBIA
Joanna Then-Obluska 741
POTTERY FROM DONGOLA: A STRATIGRAPHIC ASSEMBLAGE FROM UNIT B.I.41
Katarzyna Danys 761
PAINTED DECORATION OF WATER JARS FROM BYZANTINE ATHRIBIS
IN THE EGYPTIAN DELTA
Anna Południkiewicz 781

CONTENTS

REMARKS ON STONE VESSELS FROM ISLAMIC LAYERS ON BIJAN ISLAND <i>Marta Mierzejewska</i>	799
IN SEARCH OF NUBIAN MASTER-BUILDERS: AN ARCHITECTURAL DRAWING FROM THE CATHEDRAL IN FARAS <i>Piotr Makowski</i>	809
<i>APPENDIX: PRAYER OF A YOUNG WOMAN</i> <i>Vincent WJ van Gerven Oei</i>	826
INDEX OF SITES	833
GUIDELINES FOR AUTHORS	834
GUIDE TO PCMA PUBLICATIONS	835

ABBREVIATIONS

<i>AA</i>	<i>Archäologischer Anzeiger; Jahrbuch des Deutschen Archäologischen Instituts</i> (Berlin)
<i>ÄA</i>	<i>Ägyptologische Abhandlungen</i> (Wiesbaden)
<i>ADAIK</i>	<i>Abhandlungen des Deutschen Archäologischen Instituts, Abteilung Kairo</i> (Glückstadt)
<i>AJA</i>	<i>American Journal of Archaeology</i> (New York)
<i>ANM</i>	<i>Archéologie du Nil Moyen</i> (Lille)
<i>ASAE</i>	<i>Annales du Service des Antiquités de l'Égypte</i> (Cairo)
<i>AV</i>	<i>Archäologische Veröffentlichungen, Deutsches Archäologisches Institut, Abteilung Kairo</i> (Berlin–Mainz am Rhein)
<i>BAAL</i>	<i>Bulletin d'archéologie et d'architecture libanaises</i> (Beirut)
<i>BAH</i>	<i>Bibliothèque archéologique et historique</i> (Paris)
<i>BAR IS</i>	<i>British Archaeology Reports International Series</i> (Oxford)
<i>BASOR</i>	<i>Bulletin of the American Schools of Oriental Research</i> (Ann Arbor, MI)
<i>BCH</i>	<i>Bulletin de correspondance hellénique</i> (Paris)
<i>BdE</i>	<i>Bibliothèque d'étude</i> (Cairo)
<i>BIFAO</i>	<i>Bulletin de l'Institut français d'archéologie orientale</i> (Cairo)
<i>BSAA</i>	<i>Bulletin de la Société d'archéologie d'Alexandrie</i> (Cairo)
<i>BSFE</i>	<i>Bulletin de la Société française d'égyptologie</i> (Paris)
<i>CCE</i>	<i>Cahiers de la céramique égyptienne</i> (Cairo)
<i>CdE</i>	<i>Chronique d'Égypte</i> (Brussels)
<i>CRIPEL</i>	<i>Cahiers de recherches de l'Institut de papyrologie et égyptologie de Lille</i> (Lille)
<i>DBMNT</i>	<i>Database of Medieval Nubian Texts</i> (www.dbmnt.uw.edu.pl)
<i>EtTrav</i>	<i>Études et travaux</i> (Warsaw)
<i>FIFAO</i>	<i>Fouilles de l'Institut français d'archéologie orientale</i> (Cairo)
<i>GAMAR</i>	<i>Gdańsk Archaeological Museum African Reports</i> (Gdańsk)
<i>GM</i>	<i>Göttinger Miszellen</i> (Göttingen)
<i>JARCE</i>	<i>Journal of the American Research Center in Egypt</i> (Boston et al.)
<i>JEA</i>	<i>Journal of Egyptian Archaeology</i> (London)
<i>JGS</i>	<i>Journal of Glass Studies</i> (Corning, NY)
<i>JJP</i>	<i>Journal of Juristic Papyrology</i> (Warsaw)
<i>MDAIK</i>	<i>Mitteilungen des Deutschen Archäologischen Instituts, Abteilung Kairo</i> (Wiesbaden)
<i>OBO</i>	<i>Orbis Biblicus et Orientalis</i> (Freiburg–Göttingen)
<i>OIP</i>	<i>Oriental Institute Publications</i> (Chicago)
<i>OLA</i>	<i>Orientalia lovaniensia analecta</i> (Louvain)
<i>PAM</i>	<i>Polish Archaeology in the Mediterranean</i> (Warsaw)
<i>SAOC</i>	<i>Studies in Ancient Oriental Civilisation</i> (Chicago)
<i>WVDOG</i>	<i>Wissenschaftliche Veröffentlichungen der deutschen Orient-Gesellschaft</i> (Berlin–Leipzig)

PRELIMINARY REPORT ON POLISH EXCAVATIONS AT MARINA EL-ALAMEIN IN THE 2012–2015 SEASONS

Krzysztof Jakubiak

Institute of Archaeology, University of Warsaw

Abstract: The Marina el-Alamein Archaeological Project concentrated on excavating the area in the northern part of the harbor town, where a street (S1) existed, running north–south toward the harbor, lined by buildings on both sides. A test trench was dug across it to study the stratigraphy. It helped to identify several street levels and at least two major building phases in this area. One of the structures (H39) contained a hypocaust furnace that led to the building interpreted as a bathhouse. A pebble mosaic was uncovered immediately west of the furnace. Opposite Building H39 and across street S1, there was a large and richly furnished residential house (H42). It encompassed two paved courtyards, which were in use in the first half of the 2nd century AD. Three seasons of excavations (2012, 2013 and 2014) were followed by a season devoted in its entirety to documentation of the pottery and other small finds from the excavations and checking of the documentation from earlier seasons.

Keywords: Marina el-Alamein, residential/domestic architecture, bathhouse, Roman, architectural decoration, mosaic, Roman pottery, oil lamps, ostraka

The Marina el-Alamein Archaeological Project conducted two successive seasons of explorations (2013 and 2014) followed by a season in 2015 devoted to the study of the finds. The main emphasis was on site stratigraphy and building development phases in the northern residential district of the town. The Project continues the investigations of an archaeological mission

from the Polish Centre of Mediterranean Archaeology University of Warsaw, directed from 1986 to 2007 by Prof. Wiktor Andrzej Daszewski. The current project, beside examining the evidence for site chronology, focuses on understanding the role of the Roman harbor in the commercial trade on this part of Egypt's Mediterranean coast.

ARCHAEOLOGICAL EXCAVATIONS

STREET S1

A test trench (2.50 m by 6.20 m), dug in 2014, cut across the street (designated S1) running north–south toward the putative harbor [Fig. 1]. The street follows the eastern facade of House H21, which had been cleaned and restored earlier by a Polish conservation team (Medeksza 2003; 2010; Medeksza et al. 2004; Daszewski 2007; 2011; Czerner and Medeksza 2010). Other buildings: H39, H40, and H41, lined this street on both sides as well. At least seven different street levels were identified, the surfaces of each being discernible thanks to layers of ash strewn with ordinary street refuse. A stratified collection of pottery was recorded, illustrating a chronological sequence from the 2nd century to the 4th century AD. Most of the collection

was represented by cooking vessels and tableware, supplemented by amphorae, which were dated mainly to the 2nd–3rd centuries AD. The lowermost excavated layers of the street may have been from the 1st century AD judging by the ceramic evidence. Other categories of finds included pieces of Roman glasses and two fragments of Greek ostraka written on amphora body sherds [see Fig. 11:a–b].

Apart from examining the street stratigraphy and its dating, the test trench uncovered the foundations of the buildings standing along it. At least two different building phases were identified [Fig. 2] Walls of regularly cut middle-sized ashlars bonded in lime mortar were found side by side with a structure of ashlars and broken stone bonded in clay mortar. The

Team

Dates of work: four seasons — 17 May–10 June 2012; 15 May–6 June 2013; 18 May–6 June 2014; 6 May–4 June 2015

Director: Dr. Krzysztof Jakubiak (Institute of Archaeology, University of Warsaw; 2012, 2013, 2014, 2015)

SCA representatives: Soheir Fekrey Ahmed Hassan (2012), Muhammad Ahmed El Awady Kandil (2013), Haitham Abd Allatif Ali Abd Allal (2014)

Archaeologists: Szymon Maślak (PCMA UW; 2012, 2013, 2014), Klaudia Szajkowska, PhD candidate (Faculty of History, University of Warsaw; 2012, 2013, 2014)

Documentalist: Agnieszka Dzwonek (independent; 2015)

Student-trainees: Tomasz Barański (2014), Justyna Dziubecka (2014), Eva Eshak (2013), Iwona Laskowska (2012), Manda Lueders (2013), Adrianna Madej (2014), Maria Wardzyńska (2014, 2015) (all Institute of Archaeology, University of Warsaw)

Acknowledgments

The team is grateful to Dr. Halid Abol Hamd and Dr. Nama Samaelm Yakoub, successive Directors of the SCA branch office for the Mediterranean coast, for their support and assistance in making the fieldwork possible and efficient. We would also like to thank Dr. Baasit Ali, who was our good spirit and offered the greatest support in overcoming daily problems at the archaeological site of Marina el-Alamein. The present author would like to thank Iwona Zych and Szymon Maślak for help in editing this report.

foundation courses consisted of broken stone bedded in clay mortar.

BUILDING H40

Building H40, located in the south-eastern corner of the examined area, is limited by Street S1 to the west and a secondary street to the north. Another test trench was dug to clarify the stratigraphy at the entrance to the building. The walls were built of small standardized ashlar. Inside, a sequence of floors was preserved and two major phases of development were recognized.

A lateral chamber (H40.1), with the only entrance opening to the south, was located directly north of the main entrance to H40 from the west [Fig. 3]. The function of this lateral chamber is obscure, but its use as a doorkeeper's dwelling should be taken into consideration. The function of the building as a whole was not established.

BUILDING H39

The northernmost unit, H39.1, was rectangular in plan and was entered directly from Street S1. A test trench

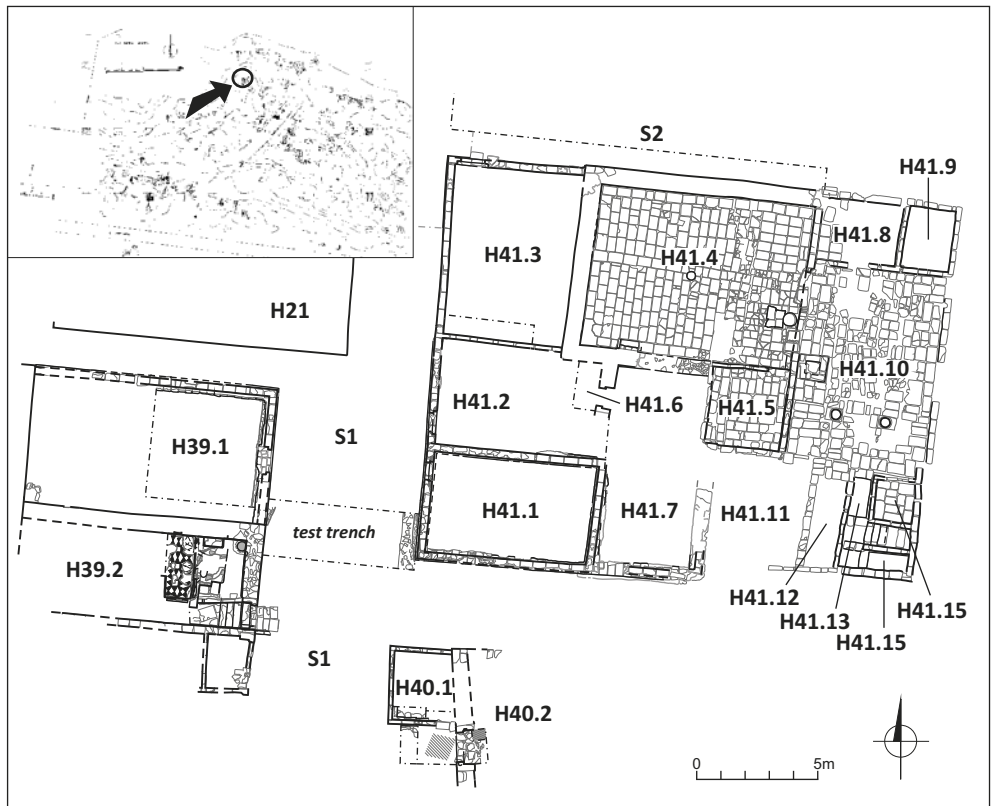


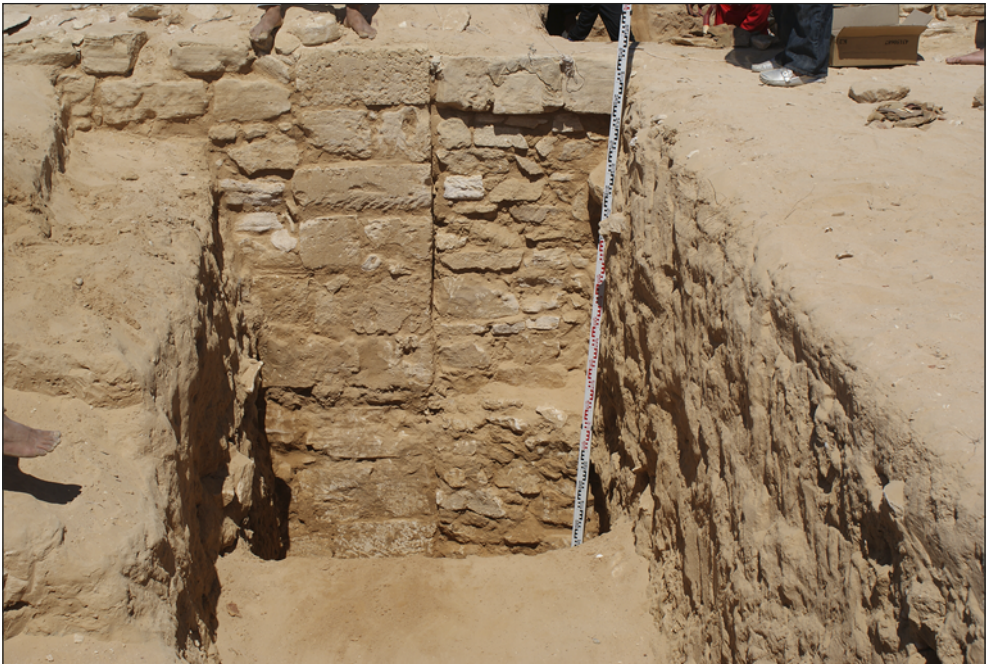
Fig. 1. Plan of excavations in 2012–2014
(Drawing S. Maślak, PCMA archives)

dug along its east wall provided material consisting of mostly kitchen ware and some tableware fragments, mainly Cypriot sigillata. The whole group dated to the 2nd and 3rd century AD; the latest objects with a more or less certain date were from the 4th century AD. Glass artifacts from a similar time horizon and a bone pin were found here as well. The dietary habits of the local population were highlighted by an abundance of animal bones, identified as sheep/goat, cattle, poultry and fish. A fireplace, its border set off with small stones, was found in the southwestern corner of the room; it appears to have functioned as a kitchen installation.

Unit H39.1 was built onto another unit to the south, H39.2, similarly rectangular

in plan and also accessed directly from Street S1. A few stone steps led down from the street inside it, suggesting a more rapid accumulation of layers in the street. Two building phases were recognized. The later phase, associated with the later run of steps, was associated with a compacted clay surface serving as a floor. A small oven made of a big pottery jar was installed in the northeastern corner of this unit and it may be indicative of the room's function as a kitchen. This phase corresponded to the 2nd–3rd century AD phase in the adjacent room described above.

Continued excavation in room H39.2 uncovered an earlier occupational phase. Under the upper flight of steps there was another one which, similarly, led down



*Fig. 2. Two building phases seen in the test trench in Street S1
(All photos K. Jakubiak)*



Fig. 3. Building H40.1: threshold



Fig. 4. Remains of a furnace in Building H39, view from the east

from the street level, this time to the paved surface in front of it. On the northern side, a thin stone wall coated with lime plaster separated the stairs from the furnace area where part of a probable water boiler (*miliarium*) was found [Fig. 4]. This relatively large installation, certainly part of a water-heating system, was built of limestone ashlars and baked bricks. The interior of the furnace was irregular in shape, resembling a clover leaf in plan. A similar furnace or water boiler was found in the neighboring House H21, already excavated and reconstructed several years ago (Daszewski 2011: 423–429;



Fig. 5. Pebble mosaic from unit 2 of Building H39

Medeksza et al. 2011: 116–125; 2012: 84–99; Zambrzycki, Skoczylas, and Tałuć 2014: 82–84; Czerner et al. 2014: 67–75). A doorway north of the furnace led to the next room or to an open courtyard. Traces of a lintel and a jamb can be seen in the stone wall. Just behind the furnace to the west, a pebble mosaic floor was discovered. The geometric pattern consisted of triangles, squares and rhomboidal motifs [Fig. 5]. The mosaic floor was constructed over a hypocaust system, which has survived in poor condition. Clay tubuli and baked-brick installations from the heating system were found at the edge of the floor and inside the walls. The floor collapsed into the hypocaust cellar when the house was destroyed and/or abandoned. The fragility of the structure made further archaeological excavation inside this room impossible at the time. The fill overlying the furnace and the mosaic floor contained a substantial number of fragmented ceramic pipes as well as air flues. At least three types of pipes were distinguished, all with more or less the same diameter. Their abundance in this spot can be explained only by their role in the said heating system. These finds suggest that at least a part of unit H39.2 was used as a bathhouse.

Coarse wares from the fill overlying the heating structures in unit H39.2 constituted a substantial part of the pottery finds from this place. They can be dated to the mid 1st and early 2nd century AD, shedding light on the issue of the date when this bathhouse fell into disuse. Public bathhouses are known from the site (Daszewski 2011: 423–429; Medeksza et al. 2011: 116–125; 2012: 84–99; Zambrzycki, Skoczylas, and Tałuć 2014: 82–84; Czerner et al. 2014: 67–75),

but this is the first time that a bathing installation has been found inside a structure which seems to be a private house.

The southernmost unit of Building H39 currently uncovered lies just behind the south wall of unit H39.2. It was rectangular in plan, and was entered from the east. Its walls were built mainly of ashlar and it was intended most probably as storage. Some Middle Roman amphorae were discovered inside it, in its northeastern corner. Another unit, located to the west of the previous one, had an entrance from the south. The walls of these structures show heavy, most probably quake-related damages.

The bathhouse facility and the building phase associated with it in H39 can be dated to the late 1st or 2nd century AD,

similarly as Building H41 on the opposite side of Street S1 (see below). The stratigraphy shows clearly that Building H39 in its bathhouse phase was older than House H21 located further to the north.

HOUSE H41

The structure designated as Building H41 extends along the eastern side of Street S1, immediately opposite Buildings H39 and H21 [see *Fig. 1*]. Its layout seems to vary from other structures identified on the site. A test trench along its north wall revealed the uppermost street level existing in this part of the site. The pottery assemblage found on its surface dated to the 2nd–3rd century AD, and included an ostrakon [see *Fig. 11:c*]. A relatively small quantity of diagnostic sherds consisting of Cypriot sigillata and some cooking ware from



Fig. 6. Building H41, unit 4, view from the southeast

inside Building H41 dated it to the late 1st and the 2nd or even 3rd century AD. No other artifacts were discovered save for a few fragments of glass and some animal bones (mainly fish).

A rectangular unit in the northwestern corner of the building, unit H41.3, was entered through the doorway in its north wall directly from the secondary street (S2). The floor consisted of tamped earth mixed with ashes and crushed pottery. It was not a household courtyard however. The relatively narrow stone wall, 0.18 m thick, seems to have been a partition wall, separating this unit from another one, H41.2, located further to the south.

East of unit H41.3, an authentic courtyard, unit H41.4, was excavated. It was surrounded by walls 0.70–0.72 m

thick and paved with rectangular slabs of irregular dimensions. In the central part of the unit, the pavement is significantly lower compared to its corners, which could suggest the presence of a collapsed water cistern below it [Fig. 6]. The rubble overlying the pavement of the unit included several pieces of good quality architectural decoration, i.e., fragments of niches or aedicules of types usually found in houses in Marina el-Alamein (Medeksza et al. 2004; Czerner 2005; Czerner and Medeksza 2010) [see Fig. 10].

Double stone doorways in the east wall of unit H41.4 were found intentionally blocked. Between these passages a circular base for an altar or the lower part of a massive thymatherion was found, with ash spread east of it. The coating of lime



Fig. 7. Building H41, unit 5, view from the north



Fig. 8. Eastern part of Building H41



Fig. 9. Southern part of Building H41

plaster on the adjacent wall just behind the base bore traces of burning. A kind of stone steps on the pavement directly in front of the base may have facilitated access to the altar.

A small square unit, H41.5, was entered from courtyard H41.4 through an entrance located in the southeastern corner. The floor here was about 0.20 m higher than the flagging of the courtyard. Both pavements were made of local limestone slabs. Nothing but some fragments of marble statuary and pottery were found in the deposits from unit H41.5.

Another courtyard, H41.10, was located east of unit H41.4. There was a small stone structure on the original pavement in the northern part of this unit. This structure was constructed of most probably reused blocks, standing about 0.40 m above the original floor. It may

be evidence of the final rearrangement of the courtyard following a huge conflagration. Traces of burning were found all over the building. In the northwestern corner of unit H41.10 there was a small oven. The pavement of the courtyard was found badly damaged, not only by fire, but also by a quake-related dislocation. A few slabs were discovered lying in their original position elsewhere than in the western and southern parts of the unit. Squatter-like structures, similar to the walls of unit H41.8, survived in the western part of the courtyard. Massive square structure with an opening to the underground cistern, built of ashlar against the west wall of unit H41.10, bore also some evidence of post-destruction building activities. The structure is coated with waterproof plaster. Its opening was found blocked.



Fig. 10. Two examples of cornices from unit 4 in Building H41

Two column bases in their original positions survived in the southern part of unit H41.10 (courtyard) [Fig. 9]. They emphasized the monumental character

of the architectural decoration. In some places, remains of a wall separating and blocking a part of the structure can still be seen. This and other walls



Fig. 11. Selected finds: ostraka (from top left), from Street S1, level 7, from Street S1, level 5, and from Street S2, north of Building H41; bottom, from left, oil lamps: from Building H40.1, layer 6 and layer 5; bottom right, silver coin from the 1st century AD and bronze coin of Antoninus Pius from unit 8 in Building H41

here were raised in a process of space reorganization after the fire. Through this column portico, courtyard H41.10 communicated with units located to the south of it. One of the rooms here had an extra doorway aligned on the main axis running between the two column shafts [Fig. 9]. An entrance in the southwestern corner of the courtyard led to unit H41.11, and, as the original floor of this unit was at least several dozen centimeters below the courtyard's pavement, communication between them was by means of steps.

Three small units were cleared in the southeastern corner of Building H41. As usual, they were built of ashlars. The easternmost unit (H41.14) was paved with regular flagstones. As confirmed by the ceramic evidence in the fill, this unit may have served as storage. The central L-shaped unit (H41.13) was divided into two parts. One of them was most probably a staircase leading to an upper floor. Three steps were still preserved in place. Calculations of the staircase flights suggest that the upper-floor must have been 3 m above the pavement

of unit H41.14. Another narrow and rectangular room (unit H41.15), located immediately behind the possible staircase to the south of it, and along the southern border of the house, very likely served as a latrine. The third narrow chamber (unit H41.12) in the southeastern part of the building was also rectangular in plan. The function of this room was not determined.

The pottery assemblage from courtyard H41.10 consisted of sherds of Cypriot sigillata from the 2nd century AD, as well as similarly dated cooking wares, coarse wares, and a small quantity of storage jars. Two coins were found on the original floor of unit H41.8, next to the northwestern corner of the courtyard. The large silver coin can be dated to the late 1st century AD. It is badly worn, proving that it was long in circulation. The other coin is a corroded bronze from the reign of Antoninus Pius (identification after preliminary conservation), that is, from the mid 2nd century AD. This coin, bearing an allegoric image of the River Tiber on the reverse, was minted most probably in Rome [see Fig. 11:g,b].

THE POTTERY ASSEMBLAGE

The documentation season in 2015 was devoted to cleaning, documenting and studying the excavated pottery assemblage as well as small finds. The pottery material was repacked in safe storage.

The assemblage studied in detail in 2015 came from the test trench opened in Street S1 and Building H39. The earliest finds were dated to the 1st century AD, whereas the main phases of occupation referred to the 2nd–3rd centuries AD with trace occupation in the 4th century AD.

The material included a superior number of Cypriot sigillata to the exclusion of local tablewares, some coarse ware and an abundance of cooking wares and finally storage and transport containers. An analysis of the imported vessels confirmed the known range of contacts: Cyprus, Cilicia, Crete, Asia Minor, Lebanon and Syria [Table 1; Figs 12–14]. Imitations of early Roman amphorae produced in Egypt in the 1st century AD were noted as well [see Fig. 14]. Cypriot sigillata constituted

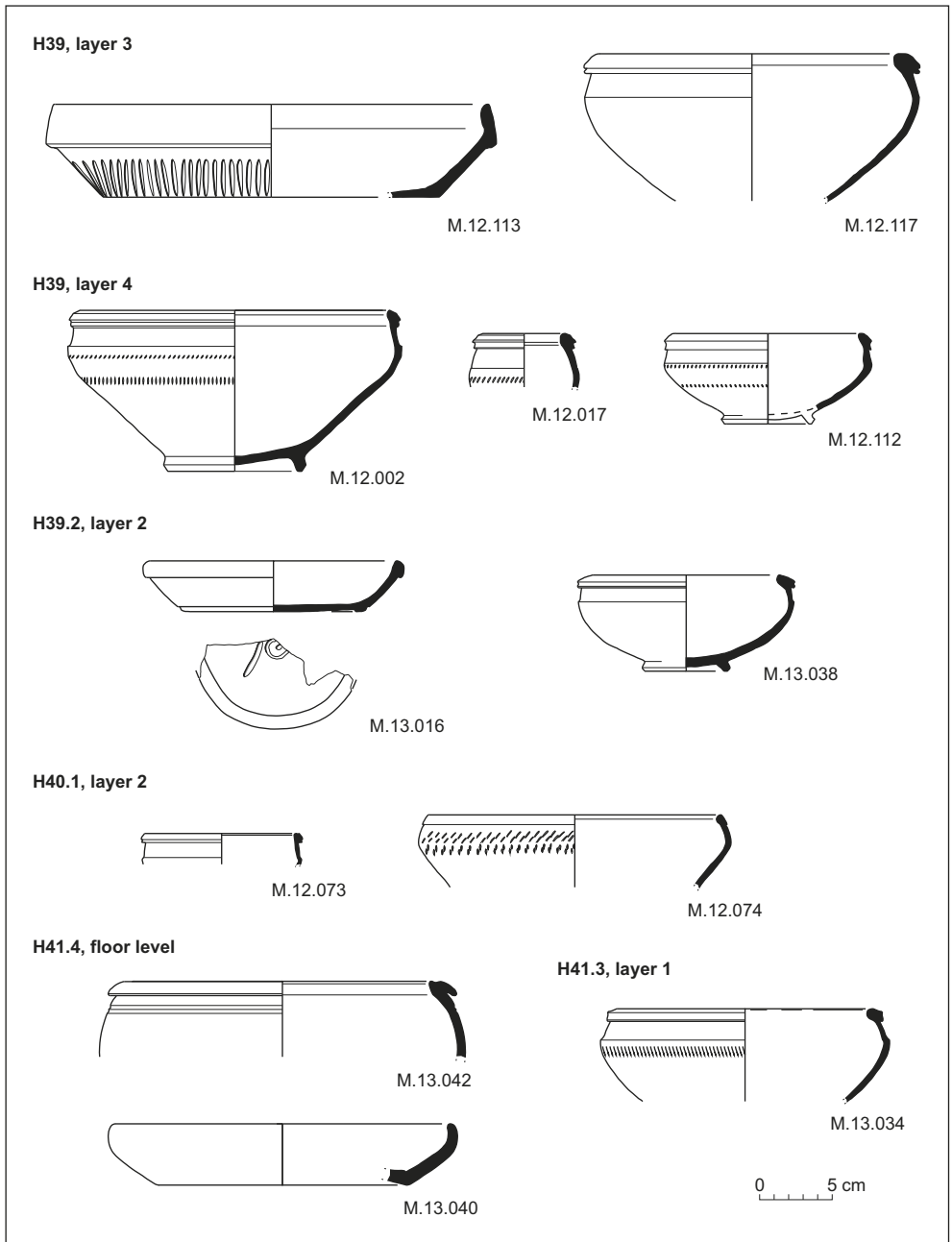


Fig. 12. Cypriot sigillata tableware, presented by stratigraphic units (for details, see Table 1)
(Drawing K. Szajkowska; digitizing S. Maślak)

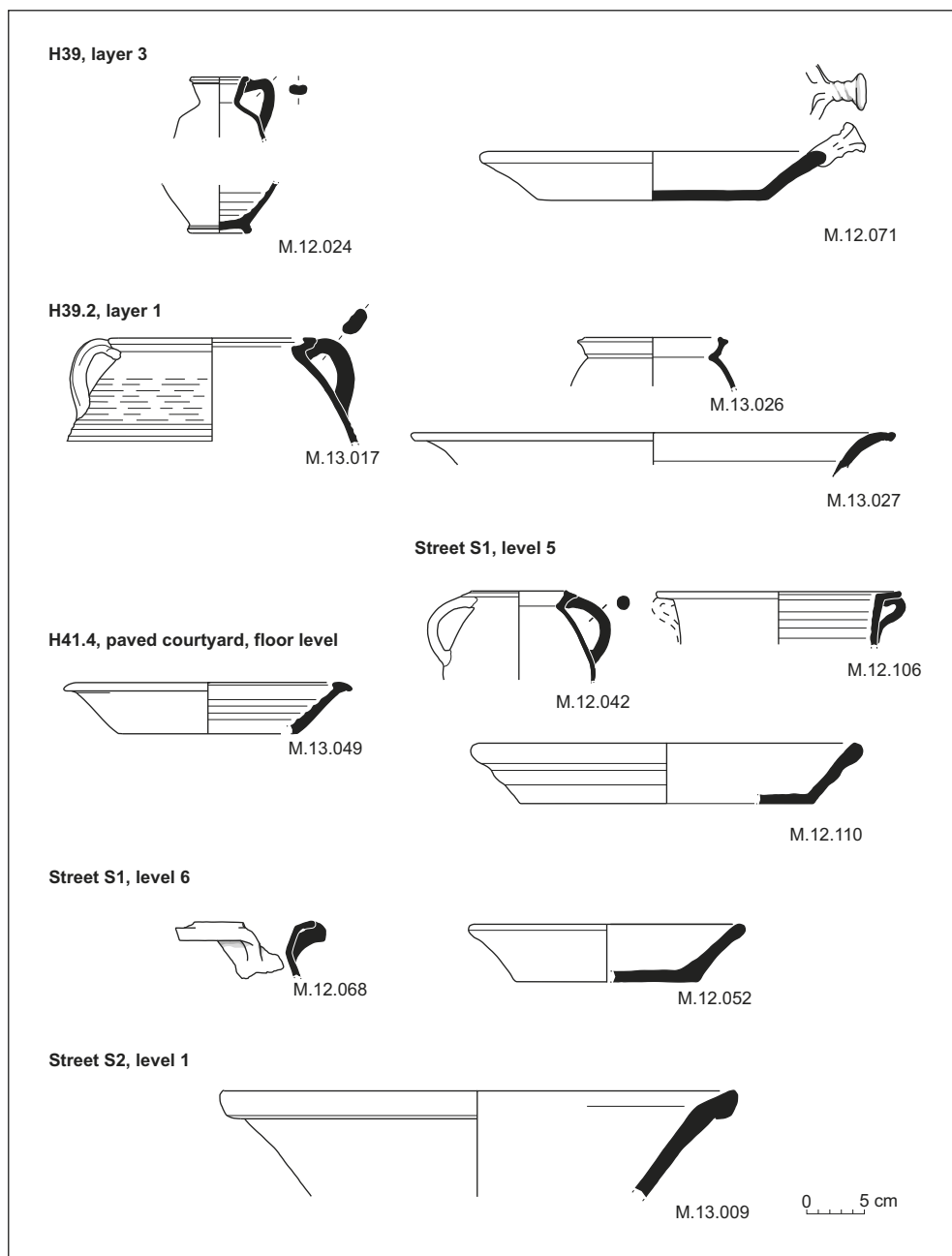


Fig. 13. Coarse and plain wares from the 2012–2013 seasons, presented by stratigraphic units (for details, see Table 1) (Drawing K. Szajkowska; digitizing S. Maślak)

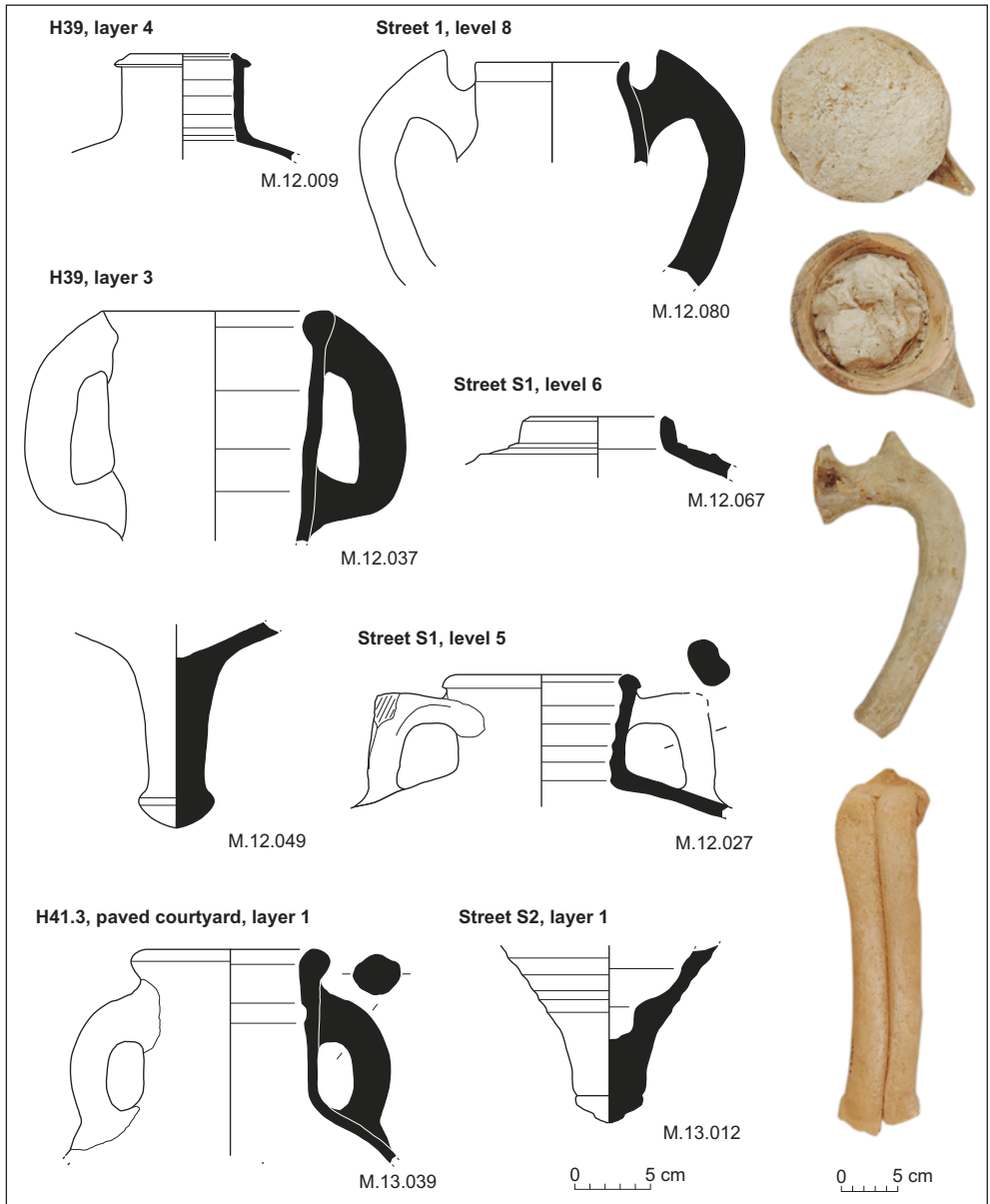


Fig. 14. Amphorae and storage jars from the 2012–2013 seasons, presented by stratigraphic units (for details, see Table 1); amphora rim with stopper, Mau XXVII/XXVIII, from Cilicia, 2nd–3rd century AD; Dressel 43 (Cretoise 4) amphora handle, from Crete, 1st–mid 3rd century AD; Dressel 2–4 amphora handle from the Mareotis, local make, mid 1st–mid 3rd century AD (Drawing K. Szajkowska; digitizing S. Maślak; photos A. Dzwonek)

Table 1. Pottery from stratigraphic units in Houses H39, H40, H41, as well as Streets S1 and S2 [Figs 12–14]

Figure	Inv. No.	Form	Date	Context
Building H39				
<i>Fig. 12</i>	M.12.113	Eastern sigillata B (Asia Minor: Ephesos?), form 60	2nd century AD (first half?)	Locus 3
<i>Fig. 12</i>	M.12.117	Cypriot sigillata, form P41	2nd century AD	Locus 3
<i>Fig. 13</i>	M.12.024	Small jug, local production	2nd century AD	Locus 3
<i>Fig. 14</i>	M.12.049	Amphora base		Locus 3
<i>Fig. 14</i>	M.12.037	Amphora AE3	2nd/3rd century AD	Locus 3
<i>Fig. 12</i>	M.12.002	Cypriot sigillata, form P41	2nd century AD	Locus 4
<i>Fig. 12</i>	M.12.017	Cypriot sigillata, form P17	1st century AD	Locus 4
<i>Fig. 12</i>	M.12.112	Cypriot sigillata, form P22B	1st/2nd century AD	Locus 4
<i>Fig. 14</i>	M.12.009	Storage jar/big jug(?)	2nd century AD(?)	Locus 4
<i>Fig. 13</i>	M.12.071	Frying pan	Late 1st–beginning of 2nd century AD	Locus 5
<i>Fig. 13</i>	M.13.027	Big bowl	2nd century AD	Unit H39.2, layer 1
<i>Fig. 13</i>	M.13.017	Cooking pot	2nd century AD	Unit H39.2, layer 1
<i>Fig. 13</i>	M.13.026	Cooking pot	2nd century AD	Unit H39.2, layer 1
<i>Fig. 12</i>	M.13.016	Cypriot sigillata, form P11	Second half of 1st–first half of 2nd century AD	Unit H39.2, layer 2
<i>Fig. 12</i>	M.13.038	Cypriot sigillata, form P22B	1st/2nd century AD	Unit H39.2, layer 2
Building H40				
<i>Fig. 12</i>	M.12.073	Cypriot sigillata, form P28	1st century AD	Unit H40.1, layer 2
<i>Fig. 12</i>	M.12.074	Cypriot sigillata, form P31A	2nd century AD	Unit H40.1, layer 2
Building H41				
<i>Fig. 12</i>	M.13.034	Cypriot sigillata, form P40	2nd century AD	Unit H41.3 (paved courtyard), layer 1
<i>Fig. 14</i>	M.13.039	Tripolitanian amphora	2nd century AD	Unit H41.3 (paved courtyard), layer 1
<i>Fig. 12</i>	M.13.040	Cypriot sigillata, bowl	First half of 2nd century AD	Unit H41.4, paved courtyard (floor level)
<i>Fig. 12</i>	M.13.042	Cypriot sigillata, form P40	2nd century AD	Unit H41.4, paved courtyard (floor level)
<i>Fig. 13</i>	M.13.049	Basin or small mortarium	Late 1st–beginning of 2nd century AD	Unit H41.4, paved courtyard (floor level)

most of the tableware recorded from the street as well as from the buildings on either side. This tableware was dated mainly to

the 1st and 2nd century AD. Copies of Cypriot sigillata manufactured in Egypt were dated to at least half a century later.

Table 1. *Continued*

Figure	Inv. No.	Form	Date	Context
Street S1				
<i>Fig. 13</i>	M.12.106	Cooking pot	2nd century AD(?)	Level 5
<i>Fig. 13</i>	M.12.042	Cooking pot, local manufacture	2nd century AD	Level 5
<i>Fig. 13</i>	M.12.110	Deep dish/frying pan?	2nd century AD(?)	Level 5
<i>Fig. 14</i>	M.12.027	Pinched-handle amphora	2nd century AD (contextual date)	Level 5
<i>Fig. 13</i>	M.12.068	Cooking pot	1st century AD	Level 6
<i>Fig. 13</i>	M.12.052	Frying pan or deep dish	Late 1st–beginning of 2nd century AD	Level 6
<i>Fig. 14</i>	M.12.067	Amphora rim	2nd century AD	Level 6
<i>Fig. 14</i>	M.12.080	Pseudo-Coan amphora	1st century BC–1st century AD	Level 8
Street S2				
<i>Fig. 13</i>	M.13.009	Basin	2nd–3rd century AD	Layer 1 (along north facade of Building H41)
<i>Fig. 14</i>	M.13.012	Amphora base	2nd century AD	Layer 1 (along north facade of Building H41)

Assoc. Prof. Krzysztof Jakubiak
 Institute of Archaeology, University of Warsaw
 00-927 Warsaw, Poland, ul. Krakowskie Przedmieście 26/28
 jakubiakk@interia.pl

REFERENCES

- Czerner, R. (2005). The anastylosis and conservation of architectural niches in Marina el-Alamein. *PAM*, 16, 119–130
- Czerner, R., Bąkowska-Czerner, G. with contributions by W. Grzegorek and A. Jasiewicz (2014). Marina el-Alamein Polish–Egyptian Conservation Mission: Research and conservation in the 2011 season. *PAM*, 23/1, 63–77
- Czerner, R. and Medeksza, S. (2010). The Commodus monument from House H21C in Marina el-Alamein. *PAM*, 19, 98–113

- Daszewski, W.A. (2007). Marina el-Alamein. In E. Laskowska-Kusztal (ed.), *Seventy years of Polish archaeology in Egypt* (pp. 147–158). Warsaw: Polish Centre of Mediterranean Archaeology, University of Warsaw
- Daszewski, W.A. (2011). Graeco-Roman town and necropolis in Marina el-Alamein. *PAM*, 20, 421–456
- Medeksza, S. (2003). Marina el-Alamein. The conservation season in 2002. *PAM*, 14, 85–98
- Medeksza, S. (2010). Marina el-Alamein. Conservation work in the 2007 season. *PAM*, 19, 81–97
- Medeksza, S. et al. (2004). Marina el-Alamein. Conservation work in the 2003 season. *PAM*, 15, 91–100
- Medeksza, S., Czerner, R., with G. Bąkowska, W. Grzegorek, R. Kucharczyk, J. Lis, and P. Zambrzycki (2011). Marina el-Alamein. Polish-Egyptian Restoration Mission: Conservation work in 2008. *PAM*, 20, 103–128
- Medeksza, S., Czerner, R., Bąkowska-Czerner, G. with contributions by I. Fuks-Rembisz, W. Grzegorek, G. Majcherek, M. Mrozek-Wysocka, and P. Zambrzycki (2012). Marina el-Alamein. Conservation work in the 2009 season. *PAM*, 21, 79–105
- Zambrzycki, P., Skoczylas, J., and Tałuc, K. (2014). Marina el-Alamein: conservation of architectural decoration and geological study in aid of conservation. *PAM*, 23/1, 78–86

POLISH ARCHAEOLOGY IN THE MEDITERRANEAN

Published annually since 1990

PAM XXV Research

REPORTS

Fieldwork projects carried out by PCMA teams in the Ancient Near East and Africa

- scope: archaeological, geophysical, restoration and study work
- areas of interest: Egypt, Sudan, Cyprus, Syria, Lebanon, Jordan, Georgia, Armenia, Iraq, Kuwait, Saudi Arabia, Oman
- timespan: ten millennia from prehistory and protohistory through the medieval period

STUDIES

- archaeological, architectural and material research within the fields of study covered by PCMA fieldwork

Available as full texts on-line at www.pcma.uw.edu.pl

PAM volumes 17 to the present available on-line from www.cecil.com

Information and orders:

www.pcma.uw.edu.pl

pcma@uw.edu.pl

pam.pcma@uw.edu.pl

www.wuw.pl/ksiegarnia



RESEARCH

PAM XXV

POLISH CENTRE OF MEDITERRANEAN ARCHAEOLOGY
UNIVERSITY OF WARSAW

POLISH ARCHAEOLOGY
IN THE MEDITERRANEAN

XXV

RESEARCH

